



Connectivity for DB2

Deploy secure, distributed applications that integrate with your important DB2 data stores

HiT Software is a leading developer of standards-based software products designed to optimize relational database access. Our DB2 connectivity product line delivers high performance access to all IBM DB2 servers. Our .NET, OLE DB, ODBC and JDBC product families enable client and server applications to read and write data to IBM DB2, with optional SSL encryption.

Ritmo

The Ritmo .NET data providers are 100% managed data providers for IBM DB2 access from Windows .NET applications. Ritmo providers accept SQL commands via ADO.NET in order to access, retrieve, and update DB2 data for optimal .NET application performance and manageability. As with other HiT Software DB2 connectivity products, Ritmo does not require any additional DB2 server software. The included Toolbox allows easy data source definition and diagnostics. Developer editions provide tools for point-and-click integration with Visual Studio .NET and C# code examples.

HiT OLEDB

The HiT OLEDB product family supports the data object access model introduced with the Windows 32-bit environment and continued in the 64-bit environment. HiT OLEDB products accept application SQL statements via ADO v2.x or directly via OLE DB object properties and methods to access, retrieve, and update DB2 data. HiT OLEDB products are a native fit for developers working in Visual Basic and other ADO IDE tools. A developer edition is available and includes a Visual Basic toolkit and an ASP toolkit containing source code examples for accessing data using ADO.

HiT ODBC

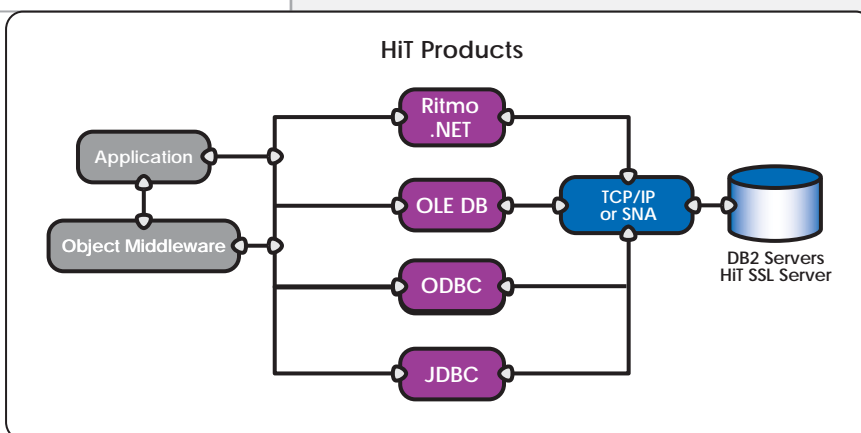
The HiT ODBC product family supports the Windows Open Database Connectivity (ODBC) standard to access, retrieve and update DB2 data. HiT ODBC products support full SQL functionality (via ODBC Level 3.x conformance) for maximum performance of client and server applications. A developer edition is available and includes a Visual Basic toolkit and an ASP toolkit containing source code examples for accessing data using ADO, RDO, DAO and ODBCDirect interfaces.

HiT JDBC

The HiT JDBC product family supports the Java Database Connectivity (JDBC) standard. HiT JDBC products are 100% Pure Java Type 4 middleware and can be accessed from JDK 1.1 and later environments to retrieve and update DB2 data. HiT JDBC products also offer the latest JDBC 3.x compliance to support J2EE high performance applications.

HiT SSL Server

HiT SSL Server is an all-Java, standards-based encryption and authentication server to secure SQL data flows over TCP/IP networks. It prevents unauthorized access to data by transparently enabling the Secure Sockets Layer (SSL) protocol between HiT ODBC, HiT OLEDB and HiT JDBC, and the systems where HiT SSL Server is installed.





DB2 Connectivity

FEATURES SUMMARY	Ritmo .NET Family	HIT OLEDB Family	HIT ODBC Family	HIT JDBC Family
ODBC Level 3.x conformance	N/A	N/A	✓	N/A
ADO .NET compliance	✓	✓	✓	N/A
ADO Level 2.x compliance	✓	✓	✓	N/A
.NET framework compliance	✓	✓	✓	N/A
JDBC Level 1.x, 2.x, and 3.x conformance	N/A	N/A	N/A	✓
100% Pure Java Type 4 driver	N/A	N/A	N/A	✓
Stored procedures and multiple result sets support	✓	✓	✓	✓
Static SQL support		✓	✓	✓
Package support	✓	✓	✓	✓
Distributed Transaction support		✓	✓	✓
Multi-threading support	✓	✓	✓	✓
dbExpress		✓	✓	
SSL v3.x encryption and authentication support		✓	✓	✓
Multiple DB2 server version support	✓	✓	✓	✓
Debug/trace tools	✓	✓	✓	✓
Silent install support		✓	✓	
TCP/IP connectivity support	✓	✓	✓	✓
Double-byte support	✓	✓	✓	✓
DRDA Native protocol support	✓	✓	✓	✓
IBM i (i5/OS) ODBS Native protocol support	✓	✓	✓	✓
HIT Server Manager		✓	✓	
Connection pooling	✓	✓	✓	✓
Distributed program call support		✓	✓	
CL Command execution	✓	✓	✓	✓
Complete set of data types supported and documented	✓	✓	✓	✓

N/A = Non Applicable

Product Line

For **IBM DB2 servers running on IBM i (iSeries, AS/400 and System i) platforms**, HiT Software offers the following data access products. All products employ the IBM i/OS Optimized Database Server (ODBS) protocol standard to deliver even better DB2 performance and features.

Installation on Windows Vista/XP/2000/98 Workstations	Installation on Windows 2003/2000/NT Servers
Ritmo/i Client*	Ritmo/i (Server)*
HIT OLEDB/400*	HIT OLEDB Server/400*
HIT ODBC/400*	HIT ODBC Server/400*
HIT JDBC/400	HIT JDBC/400
HIT SSL Server	HIT SSL Server

* Developer Edition available

For **IBM DB2 servers running on z/OS and OS/390, VSE/VM, AIX, Solaris, Linux, Windows and OS/2 platforms**, HiT Software offers the following data access products. All products employ the IBM Distributed Relational Database Architecture (DRDA) protocol standard to communicate with all DB2 server platforms.

Installation on Windows Vista/XP/2000/98 Workstations	Installation on Windows 2003/2000/NT Servers
Ritmo/DB2 Client*	Ritmo/DB2 (Server)*
HIT OLEDB/DB2*	HIT OLEDB Server/DB2*
HIT ODBC/DB2*	HIT ODBC Server/DB2*
HIT JDBC/DB2	HIT JDBC/DB2
HIT SSL Server	HIT SSL Server

* Developer Edition available

HiT Software, Inc. · www.hitsw.com

phone: 1-408-345-4001 · fax: 1-408-345-4899 · e-mail: info@hitsw.com

HiT SOFTWARE[®]
Open Up Your Data